

Ink Cups and rings – general



## Inkcups

One of the most important components in achieving a quality print, is the ink cup.

SICATECH has developed a series of ink cups

- with magnets around the edge for ceramic or carbide rings
- with fully covered magnets around the edge for ceramic or carbide rings
- a series of oval cups with steel rings (uncovered magnets)

The ink cups contain less ink than conventional ink cups and are very easy to clean. Available with large screw cap or viscomix connection (automatic thinning and viscosity control).

These series of ink cups can be fitted into any pad printer on the market today. Depending on the pad printer, minor changes might be required.

The ink cups can be delivered in standard types and sizes, but we can make customized versions on request, oval or round, ceramic or steel.

## Rings

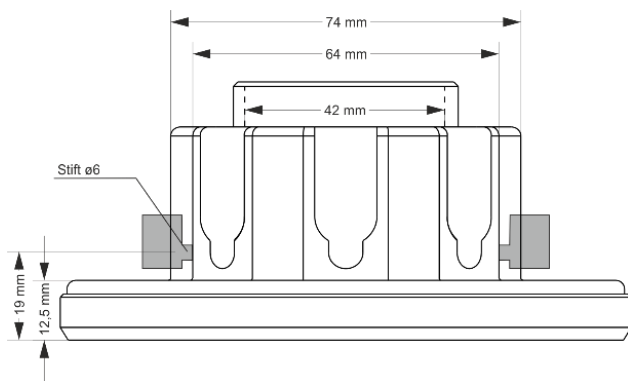
SICATECH has developed a series of ceramic rings, using the best ceramic on the market for high quality doctoring and durability. Most sizes come in carbide also.

If we do not have a ring suitable to your needs we will customize one for you.

Ink Cups and rings – general



## SICATECH – Ink Cups



SICATECH inkcups with standard gripper and 42mm brass plug, prepared for our new **Viscomix™** automated thinner diluting system

## SICATECH - Ink cups with magnets



SICATECH inkcups for ceramic or carbide rings with magnets around the edge. Fitted for our standard gripper and 42mm brass plug, prepared for our new **Viscomix™** automated thinner diluting system (excl. ring)

Fits to SICATECH and microPrint and **Viscomix™**

### Item no. SICATECH MP ink cups w.42mm plug

- 08271 Cup f. ring (f.Sicatech) ø56mm
- 08274 Cup f. ring (f.Sicatech) ø70mm
- 08275 Cup f. ring (f.Sicatech) ø77mm
- 08276 Cup f. ring (f.Sicatech) ø86mm
- 08105 Cup f. ring (f.Sicatech) ø120mm
- 08109 Cup f. ring (f.Sicatech) ø140mm



Fits to SICATECH and microPrint

### Item no. SICATECH MP ink cups w.18mm plug

- 08071 Cup f. ring (f.Sicatech) ø56mm
- 08100 Cup f. ring (f.Sicatech) ø86mm

## SICATECH - Ink Cups with covered magnets

SICATECH ink cups for ceramic or carbide rings with covered magnets. Fitted for our standard gripper and 42mm brass plug, prepared for our new **Viscomix™** automated thinner diluting system (excl. ring)

### Item no. SICATECH ink cup, w42mm plug

- 08100v7 Cup f. ring (f.Sicatech) ø86mm
- 08108 Cup f. ring (f.Sicatech) ø120mm



### Item no. SICATECH ink cup, viscomat plug

- 08098 Cup f. ring (f.Sicatech) ø86mm
- 08106 Cup f. ring (f.Sicatech) ø120mm
- 08110 Cup f. ring (f.Sicatech) ø140mm
- 08119 Cup f. ring (f.Sicatech) ø200mm

## SICATECH - Ink Cups with magnets – oval



SICATECH ink cups - oval for steel ring with magnets around the edge. Fitted for our standard gripper and 42mm brass plug, prepared for our new **Viscomix™** automated thinner diluting system (excl. ring)

### Item no. SICATECH ink cup – Oval w.42 mm plug

- 08121 Cup f. oval ring (f.Sicatech) ø90/120mm
- 08120 Cup f. oval ring (f.Sicatech) ø120/135mm
- 08021 Cup f. oval ring (f.Sicatech) ø120/160mm
- 08025 Cup f. oval ring (f.Sicatech) ø120/370mm

### Item no. SICATECH Oval steel ring (incl. o-ring)

- 08231 Oval steel ring ø90/120mm
- 08230 Oval steel ring ø120/135mm
- 08241 Oval steel ring ø120/160mm
- 08245 Oval steel ring ø120/370mm

### Item no. SICATECH o-ring

- 08127 O-ring f. ø86mm and ø90/120mm cup
- 08129 O-ring f. ø120mm and ø120/135mm cup
- 08130 O-ring f. ø140mm and ø120/160mm cup
- 08137 O-ring f. ø120/370mm

**SICATECH – Ceramic & carbide rings H9**



SICATECH ceramic ring og carbide ring - H9 suitable for Sicatech, microPrint etc. (incl. o-ring)

**Item no. SICATECH ceramic ring - H9**

- 08055 Ceramic ring (f.Sicatech) ø56mm
- 08054 Ceramic ring (f.Sicatech) ø77mm
- 08057 Ceramic ring (f.Sicatech) ø86mm
- 08053 Ceramic ring (f.Sicatech) ø115mm
- 08058 Ceramic ring (f.Sicatech) ø120mm
- 08059 Ceramic ring (f.Sicatech) ø140mm

**Item no. SICATECH carbide ring - H9**

- 08255 Carbide ring (f.Sicatech) ø56mm
- 08256 Carbide ring (f.Sicatech) ø70mm
- 08253 Carbide ring (f.Sicatech) ø77mm
- 08257 Carbide ring (f.Sicatech) ø86mm
- 08258 Carbide ring (f.Sicatech) ø120mm
- 08259 Carbide ring (f.Sicatech) ø140mm

**Item no. SICATECH o-ring**

- 08124 O-ring f. ø56mm
- 08126 O-ring f. ø70mm
- 08133 O-ring f. ø77mm
- 08127 O-ring f. ø86mm
- 08134 O-ring f. ø115mm
- 08129 O-ring f. ø120mm
- 08130 O-ring f. ø140mm
- 08132 O-ring f. ø160mm
- 08136 O-ring f. ø200mm



Item no.	Item no.	ØA	ØB
08055	08255	62	56
08054		83	77
	08256	76	70
08057	08257	92	86
08053		121	115
08058	08258	127	120
08059	08259	144	136

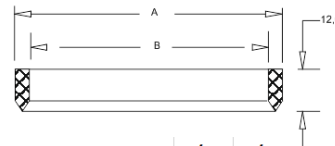
**SICATECH – Ceramic rings H12**



SICATECH ceramic ring – H12 suitable for Tecaprint etc.

**Item no. SICATECH ceramic ring - H12**

- 08171 Ceramic ring (f.Teca) ø56mm
- 08172 Ceramic ring (f.Teca) ø72mm
- 08173 Ceramic ring (f.Teca) ø86mm
- 08174 Ceramic ring (f.Teca) ø96mm



Item no.	ØA	ØB
08171	60	53
08172	76	68
08173	90	82
08174	100	92

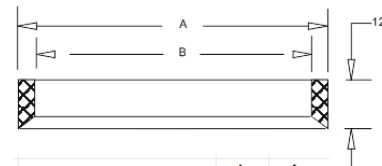
SICATECH ceramic ring – H12 suitable for Morlock etc.

**Item no. SICATECH ceramic ring - H12**

- 08179 Ceramic ring (f.Morlock) ø66,6mm
- 08180 Ceramic ring (f.Morlock) ø71mm
- 08181 Ceramic ring (f.Morlock) ø86,6mm
- 08182 Ceramic ring (f.Morlock) ø90,6mm

**Item no. SICATECH carbide ring - H12**

- 08348 Carbide ring (f.Morlock) ø66,6mm



Item no.	Item no.	ØA	ØB
08179	08348	66,6	56,8
08180		71,0	62,1
08181		86,6	77,8
08182		90,6	81,7

## SICATECH (TP) ink cups



SICATECH TP inkcups for ceramic or carbide rings  
Fits Tampoprint machines

w.18mm plug:

**Item no. SICATECH TP ink cups MT**

- 08074v1 Cup f. ring ø60mm
- 08079 Cup f. ring ø90mm, low model
- 08079v1 Cup f. ring ø90mm
- 08082 Cup f. ring ø130mm
- 08080 Cup f. ring ø140mm

w.42mm plug:

**Item no. SICATECH TP ink cups MT**

- 08082v1 Cup f. ring ø130mm

## SICATECH (TP) ink cups



SICATECH TP inkcups with magnets for ceramic or carbide rings. Fits Tampoprint machines w.magnet  
Mounting plate and arm not necessary.

**Item no. SICATECH TP ink cups MT**

- 08074v2 Cup f. ring ø60mm, w.magnet
- 08079v2 Cup f. ring ø90mm, w.magnet
- 08080v1 Cup f. ring ø140mm, w.magnet

## Doctoblades

**Item no. Doctor-blades in 0,5mm**  
we cut to desired length

D,5x19x? 0,50mm Doctor-blade, 19x?

## SICATECH (TP) rings and seals



SICATECH TP ceramic and carbide rings.  
Fits Tampoprint machines. Incl plastic seal.

**Item no. SICATECH TP ceramic rings**

- 08150 Ceramic ring ø60mm
- 08151 Ceramic ring ø90mm
- 08354 Ceramic ring ø140mm

**Item no. SICATECH TP carbide rings**

- 08350 Carbide ring ø60mm
- 08351 Carbide ring ø90mm
- 08352 Carbide ring ø130mm
- 08353 Carbide ring ø140mm

**Item no. SICATECH TP plastic seal**

- 08125 Seal f. ring ø60mm
- 08128 Seal f. ring ø90mm
- 08131 Seal f. ring ø130mm
- 08135 Seal f. ring ø140mm

## SICATECH ink cups with magnets

SICATECH inkcups for ceramic or carbide rings with magnets around the edge.

**Item no. SICATECH ink cups**

- 08097 Cup f. ring Morlock, ø77mm
- 08099 Cup f. ring Morlock, ø86mm
- 08100v4 Cup f. ring ACP, ø86mm
- 08100v5 Cup f. ring Croma, ø86mm
- 08100v6 Cup f. ring Tosh, ø86mm
- 08085 Cup f. ring Tecaprint, ø86mm
- 08107 Cup f. ring Tecaprint, ø120mm

**SICATECH inkcups for ceramic or carbide rings**  
without magnets.

**Item no. SICATECH ink cups**

- 08103 Cup f. ring, Printing int. ø120mm